



# Royal Industrial Suppliers

Quality Fasteners Specialist

No. 4, M.G.S. Complex, Benki Nawab Street, S.P. Road Cross, Bangalore 560002

An ISO 9001:2015 Certified Co



8310165941 / 9008782885



sales@royalfastenersindia.com



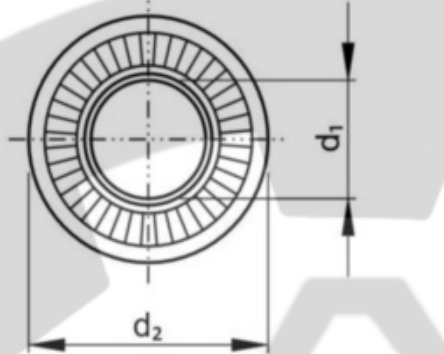
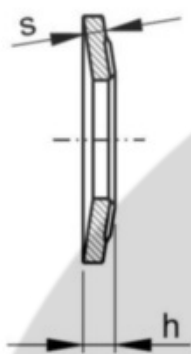
www.royalfastenersindia.com

**CONTACT LOCK WASHER**

**NFE 25 - 511**

**CATALOGUE NUMBER: R6G44C**

**AISI 316 - A4**



Send your Orders / Enquiries along with the following Item Codes

All Dimensions are in MM

**TYPE 'M' FOR HEX SCREWS & BOLTS**

Nominal Size Bolt Size ↓	PART NO.	Inside Dia d1		Outside Dia d2		Height h		Thickness s	
		Min	Max	Min	Max	Min	Max	Min	Max
<b>M3</b>	R6G44C03000	3.1	3.35	7.71	8.29	0.80	1.00	0.57	0.63
<b>M4</b>	R6G44C04000	4.1	4.40	9.71	10.29	1.15	1.40	0.86	0.94
<b>M5</b>	R6G44C05000	5.1	5.40	11.65	12.35	1.45	1.80	1.06	1.14
<b>M6</b>	R6G44C06000	6.1	6.40	13.65	14.35	1.75	2.10	1.26	1.34
<b>M8</b>	R6G44C08000	8.2	8.56	17.65	18.35	1.90	2.35	1.36	1.44
<b>M10</b>	R6G44C10000	10.2	10.56	21.58	22.42	2.25	2.75	1.55	1.65
<b>M12</b>	R6G44C12000	12.4	12.83	26.58	27.42	2.60	3.10	1.75	1.85
<b>M14</b>	R6G44C14000	14.4	14.81	29.58	30.42	3.20	3.70	2.34	2.46
<b>M16</b>	R6G44C16000	16.4	16.83	31.50	32.50	3.60	4.10	2.74	2.86
<b>M20</b>	R6G44C20000	20.5	21.02	39.50	40.50	4.90	4.90	3.14	3.26